

DO NOT SCALE

CHANGE REQUEST

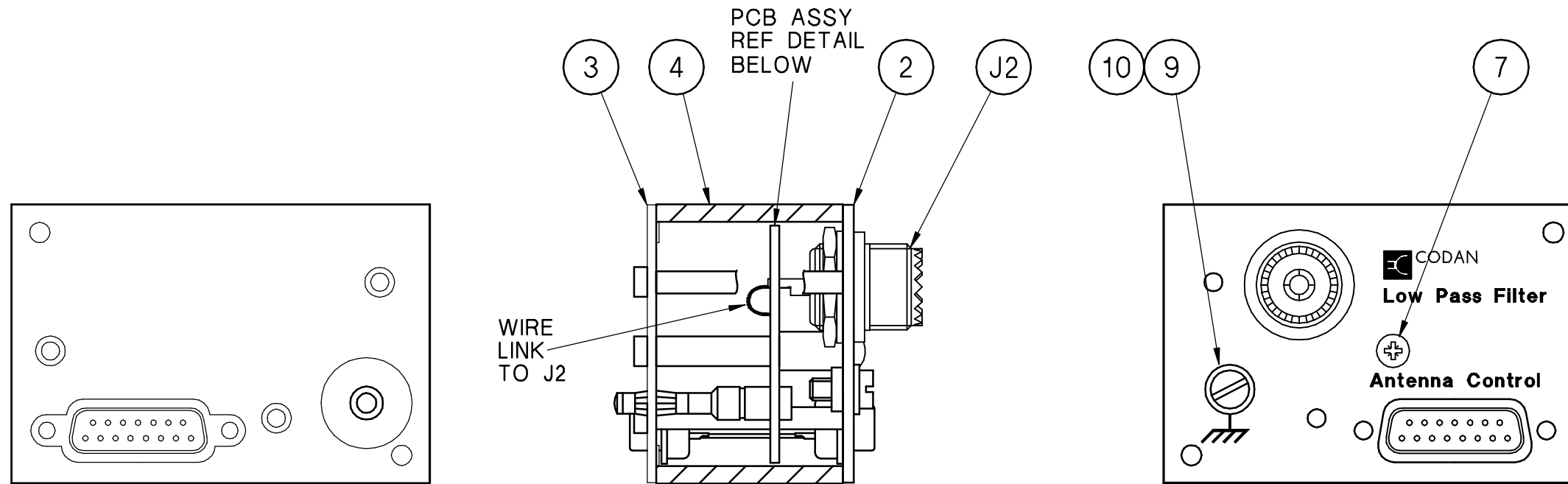
ISSUE B
REFER SHT 2

ISSUE C
ITEMS 7&9 DELETED.
C/R 24682
JFB 05-08-96

ISSUE 2
REF. SHT 2

ISSUE 3
REF. SHT 2

ISSUE 4
REF. SHT 2
C/R 26476
1-3-2000 HKJ



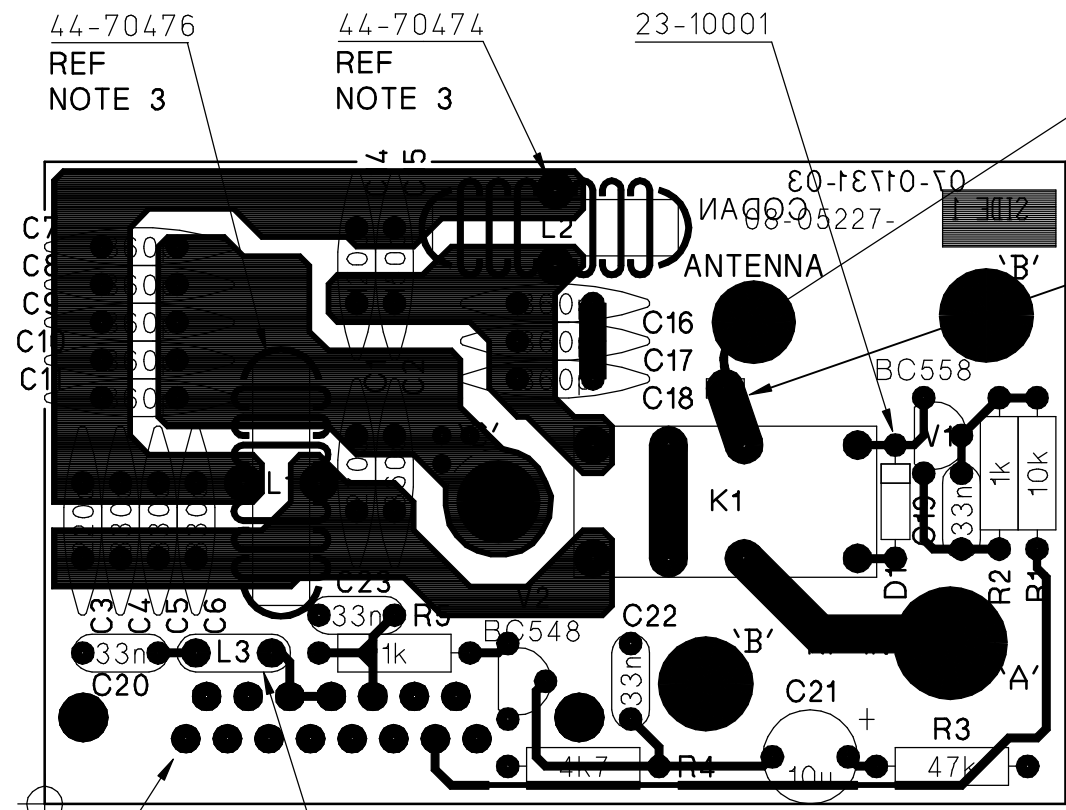
NOTES

1. ITEMS 6 & 12 SUPPLIED SEPARATELY TO CUSTOMISING
FOR FITTING OF UNIT TO TRANSCEIVER.

FILE NAME
08\05227XAR.DWG

	DRN	DB	SCALE	© CODAN PTY LTD, A.C.N. 007 590 605 1995 TITLE FILTER, LOW PASS (1.6MHz) FINAL ASSEMBLY			
	1234567	CHKD	EF				
FINISH	APPD	JFB	12-8-96	DRAWING/DOC NO. A3 08-05227			
	TOLERANCES UNLESS OTHERWISE STATED						
2 PLACES DEC. ±0.25 1 PLACE DEC. ±0.5 0 PLACE DEC. ±1 ANGULAR ±2			4				

DO NOT SCALE

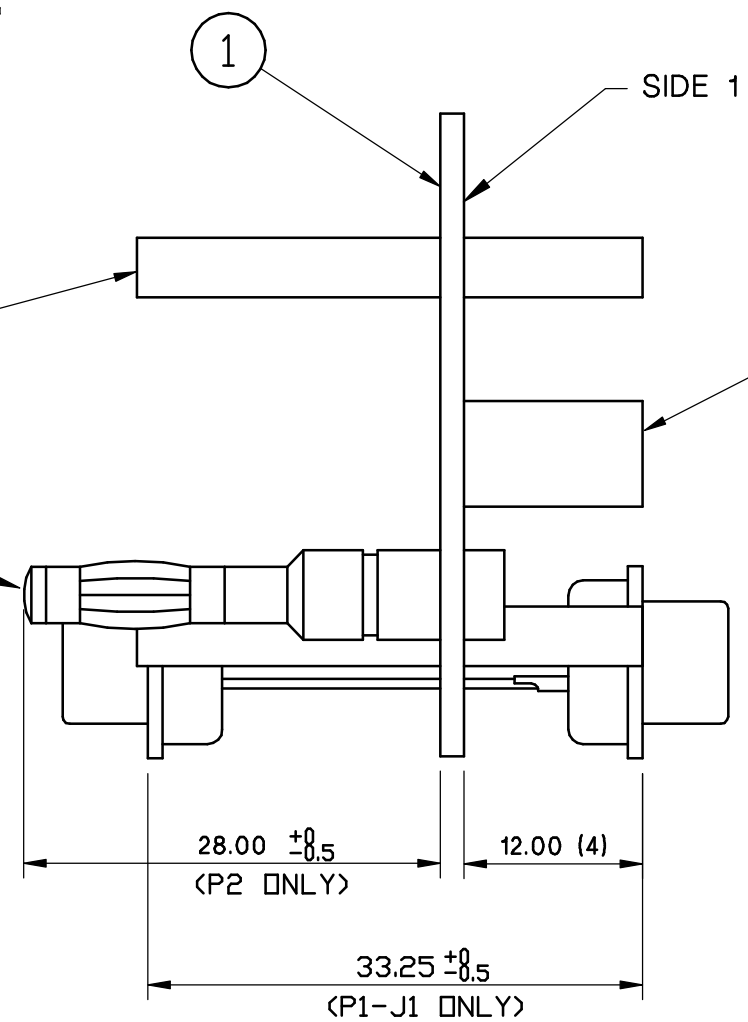


10/0.2x10.0 LINK
(UNINSULATED
MULTISTRAND WIRE)
TO J2. REF SHT 1

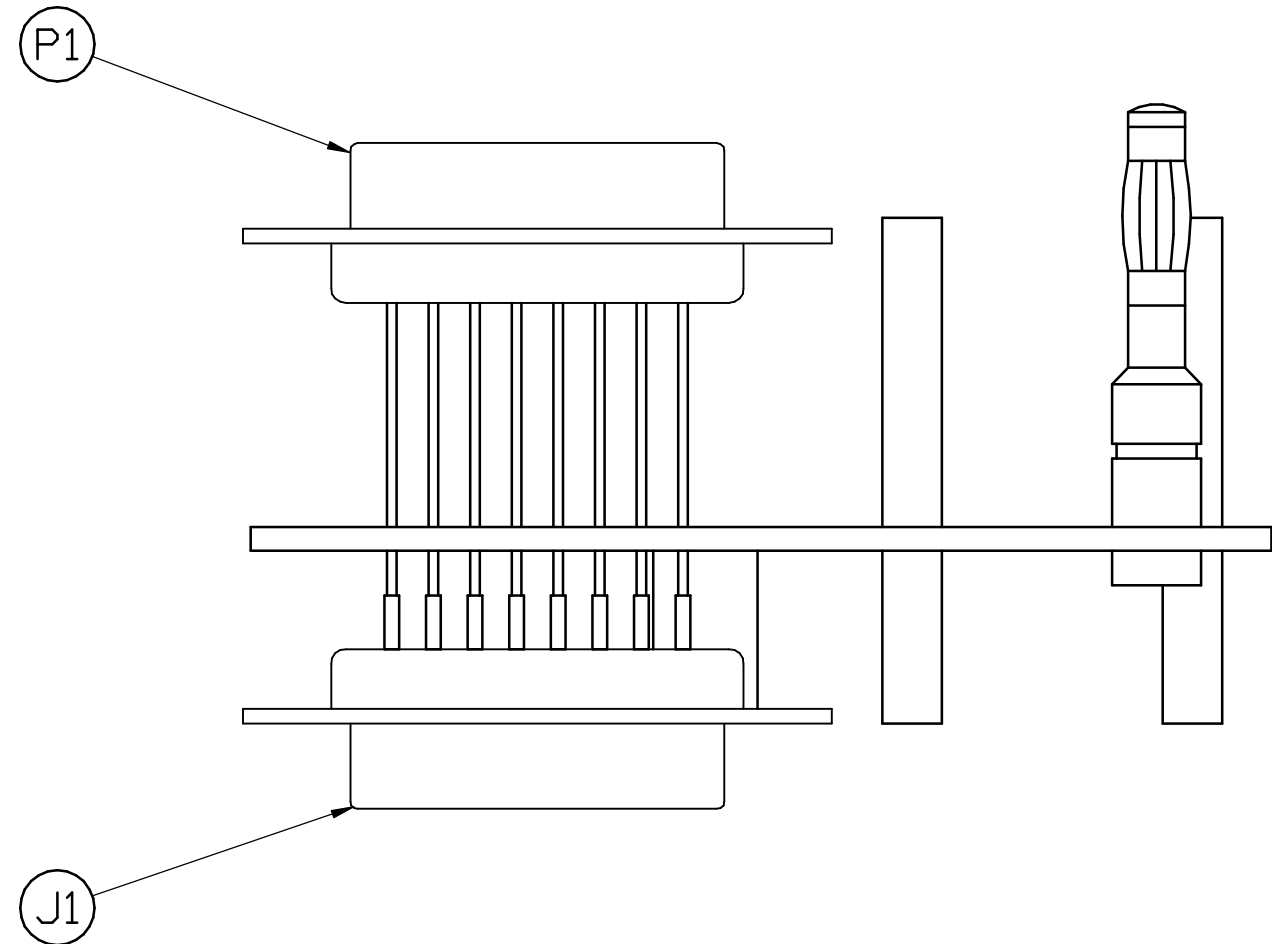
13

5
2x'B' HOLES
REF NOTE 3

P2
'A' HOLE
REF NOTE 3



P1 OMITTED
FOR CLARITY



CHANGE REQUEST	
ISSUE B	DIM 28.00 WAS 30.00. DIM 12.00 WAS 10.00. 10 WIRE STRANDS WAS 14. C/R 24585 07-01731 WAS ISS1. C/R 24530 19-04-96 GW
ISSUE C	REF SHT 1
ISSUE 2	P1 WAS BUCKET SOLD. NOTES CHANGED. C/R 24814 06-05-97 BCL
ISSUE 3	PCB No WAS 07-01731-03 C/R 26180 6-7-99 AC
ISSUE 4	HIDDEN LINE ADDED FOR ITEM 10 AT "C" HOLE.
FILE NAME 08\05227XAR.DWG	

NOTES:

1. ENSURE ITEMS J1, P1, P2 5 & 10 ARE AT RIGHT ANGLE TO THE PCB.
2. SOLDER ITEM 5 AND P2, ALSO SECURE L1, L2 WITH JETMELT.
3. ASSEMBLE J1, P1 USING ASSEMBLY FIXTURE CHECK HEIGHTS AS PER DIMENSIONS.

07-01731-04

			SCALE 2:1	© CODAN PTY LTD, A.C.N. 007 590 605 1995	
	DRN	DB	DATE 07-12-95	TITLE FILTER, LOW PASS (1.6MHz) PCB ASSEMBLY	
MATERIAL	CHKD	EF	20-12-95	DRAWING/DOC NO. 08-05227	
FINISH	APPD	JFB	12-8-96	A3	
	TOLERANCES UNLESS OTHERWISE STATED			ISS	
	2 PLACES DEC. ±0.25 1 PLACE DEC. ±0.5 0 PLACE DEC. ±1 ANGULAR ±2			4	
				SHT. 2	DF 2